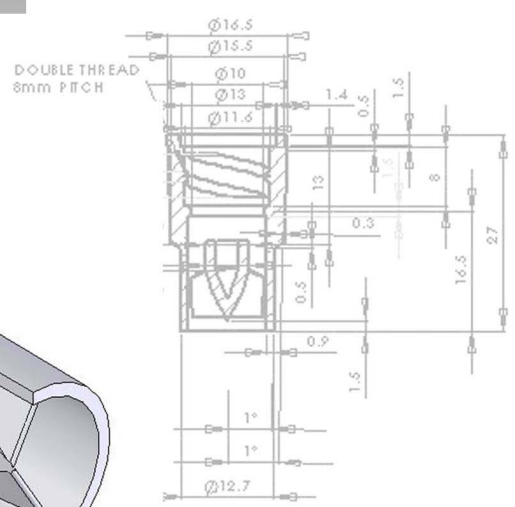
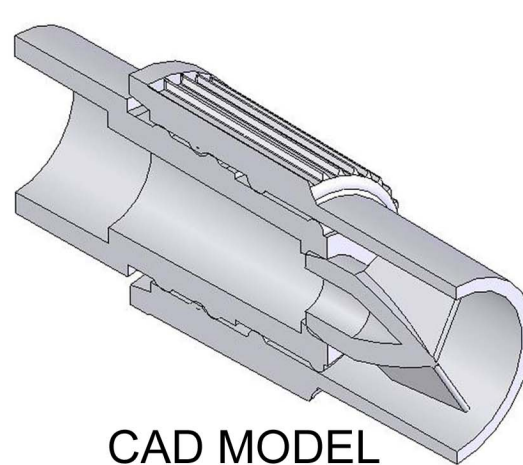
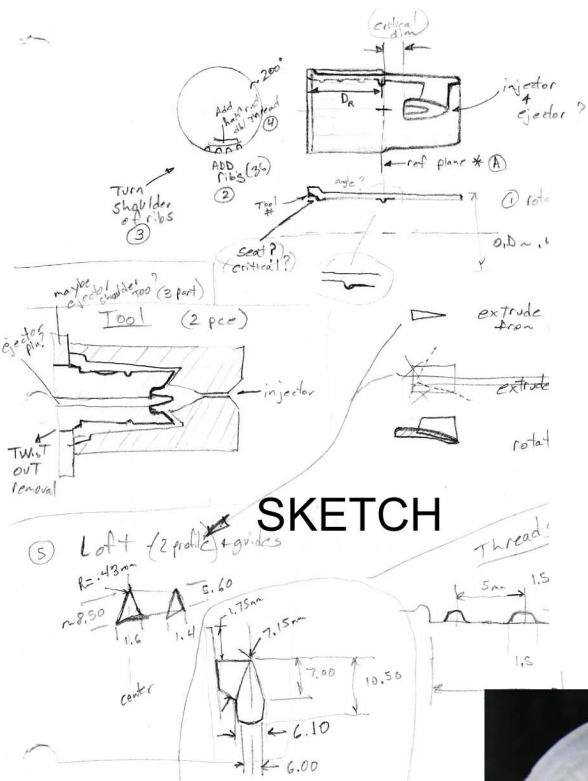


ROBERT DEVANEY

Design Engineer, BSME
 650.796.4043 rd@devde.com
 PO Box 390044 Mtn View, CA 94039

PRODUCT: Twist Valve
 GOAL: Fit to existing pump. Maximize fluid flow.
 Simple closure. No fluid leakage. Low cost.
 MATERIAL/PROCESS: PP inj. molding
 QTY: High volume production
 TIMEFRAME: 1 month
 PROCESS: Conceptualize > CAD > prototype > tooling.



DRAWING



RENDERING



SLA



FINAL PARTS